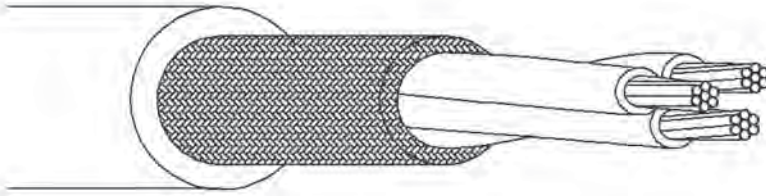


M27500 Cable (NEMA WC27500)



M27500 cable products are composed of mil-spec inner conductors, single or double shields and single or double jackets. This mil-spec cable is ideal for use in aircraft and ground support equipment due to its ability to operate in a broad range of temperatures. In addition to being a defense and aerospace cable, this high performance, mil-spec cable is used in a wide range of general purpose electrical applications.

How to build 27500 Cables:

Step 1: Choose correct color identification method and shield coverage. (See **Table A** on pg. 51)

Step 2: Choose conductor AWG.

Step 3: Choose inner conductor type, find the appropriate cable designator for that specific mil-spec wire. (See **Table B** on pg. 52) For example use the “SB” cable designator for M22759/32 wire.

Step 4: Determine number of conductors

Step 5: Use **Table C** on pg. 53 to determine Shield Type.

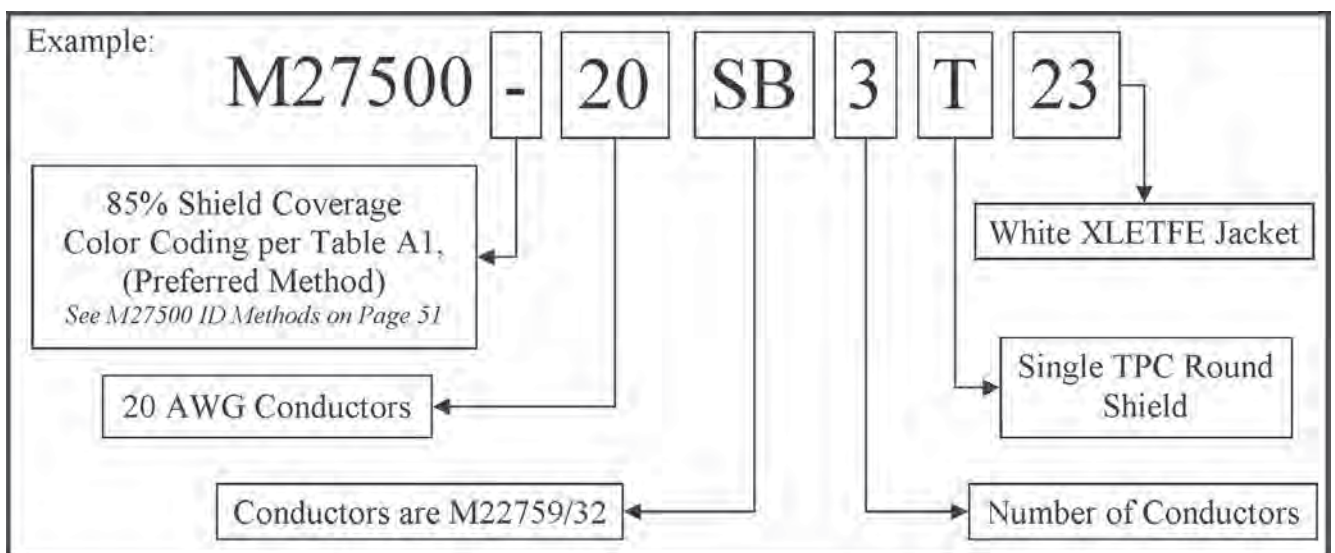
Step 6: Use **Table D** on pg. 53 to determine Jacket Type.

Step 7: Compose your part number like the example below using the designators from the previous steps.

Step 8: Contact WireMasters with your part number and place an order.

Cable Designation

Mil-spec Number	ID method for wire and shield coverage (Table A on pg. 51)	Conductor AWG	Base Wire Spec. (Table B on pg. 52)	No. of Conductors	Shield Type (Table C on pg. 53)	Jacket Material (Table D on pg. 53)
M27500	–	20	SB	3	T	23



Your WireMasters account executive can advise you on proper selections and commonly available configurations of these cables.